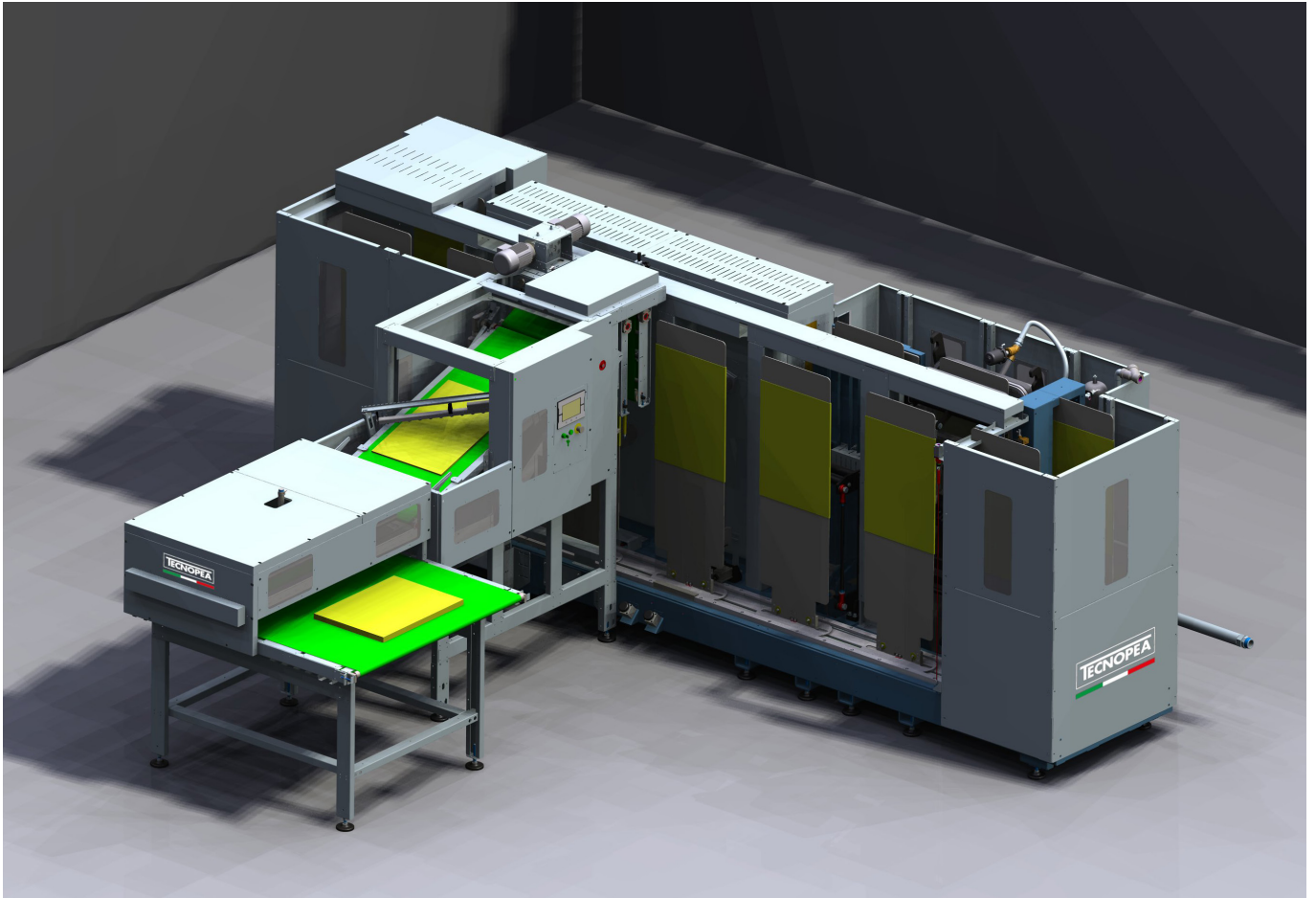


SEAMLESS BOARDING

STEAM BOARDING MACHINE FOR LARGE SEAMLESS
TUBULAR PRODUCTS

GHIBLI XSL 600-800



SEAMLESS BOARDING

GHIBLI XSL 600-800

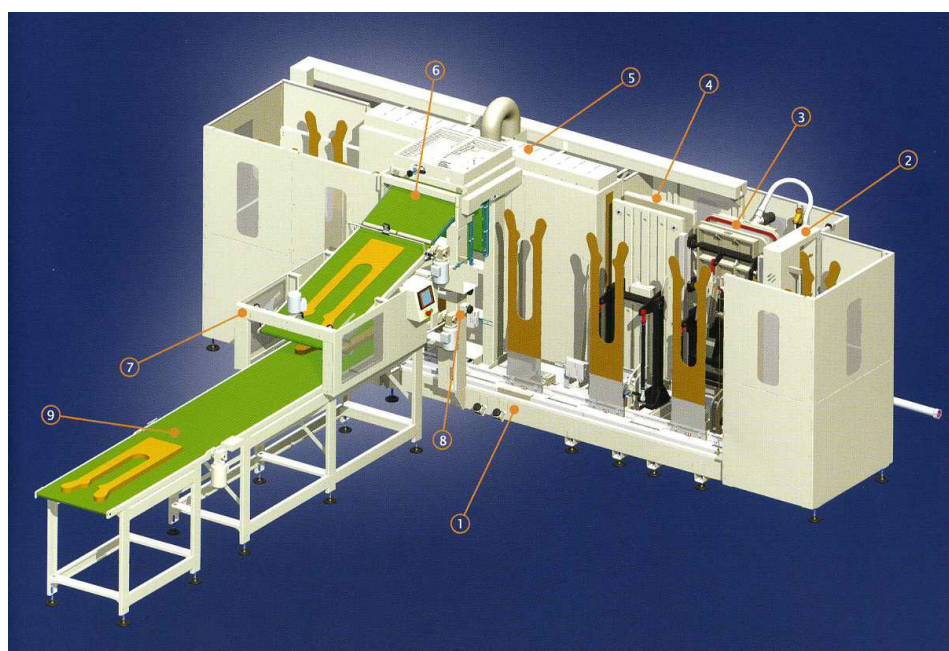
Steam boarding machine for large seamless tubular products.

SEAMLESS BOARDING

GHIBLI XSL 600-800

Specifications	Ghibli XSL 600-800 600	Ghibli XSL 600-800 800
Net weight	3830 Kg	4430 Kg
Operators	N.1	N.1
Boarding forms	N.14	N.14
Cycle min	6 sec	6 sec
Max production	600 pcs	600 pcs
Min air pressure	6 bar	6 bar
Air max consumption	25 mc/h	25 mc/h
Water min pressure	3 bar	3 bar
Water max consumption	20 l/h	20 l/h
Steam min pressure	7 bar	7 bar
Steam max consumption	60 Kg/h	60 Kg/h
Installed power	40 Kw	40 Kw
Press max temperature	250° C	250° C
Tunnel max temperature	200° C	200° C

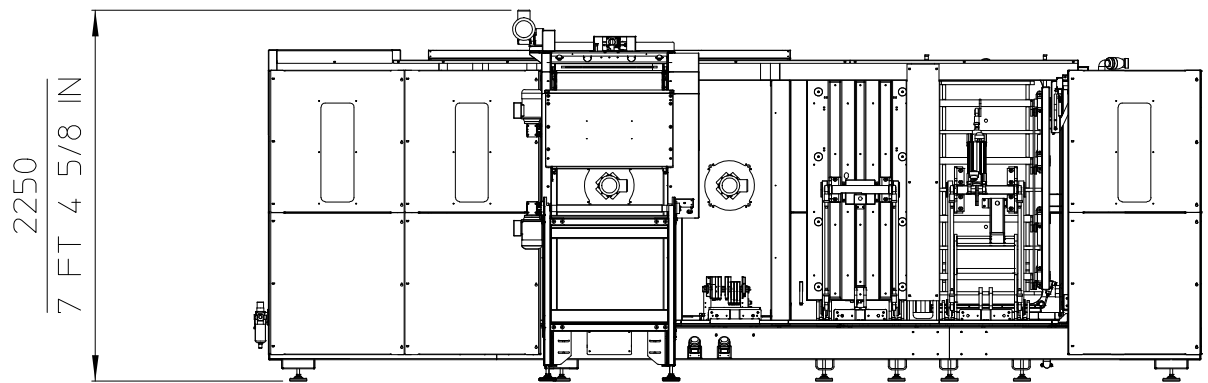
Features
Treated steel structure
Just one operator
14 forms made up special aluminium (130 cm height)
Easy pneumatic change of forms
steam chamber 3 bar with pneumatic lock
Water fog nozzle
Adjustable electric press and max temperature 250° C
Hot air tunnel with air handling max 200° C
Possibility to select faulty garments
Automatic stripping device and piling of garments
Reduced consumption with high productions
PLC for electronic control of boarding cycle and auto-diagnosis



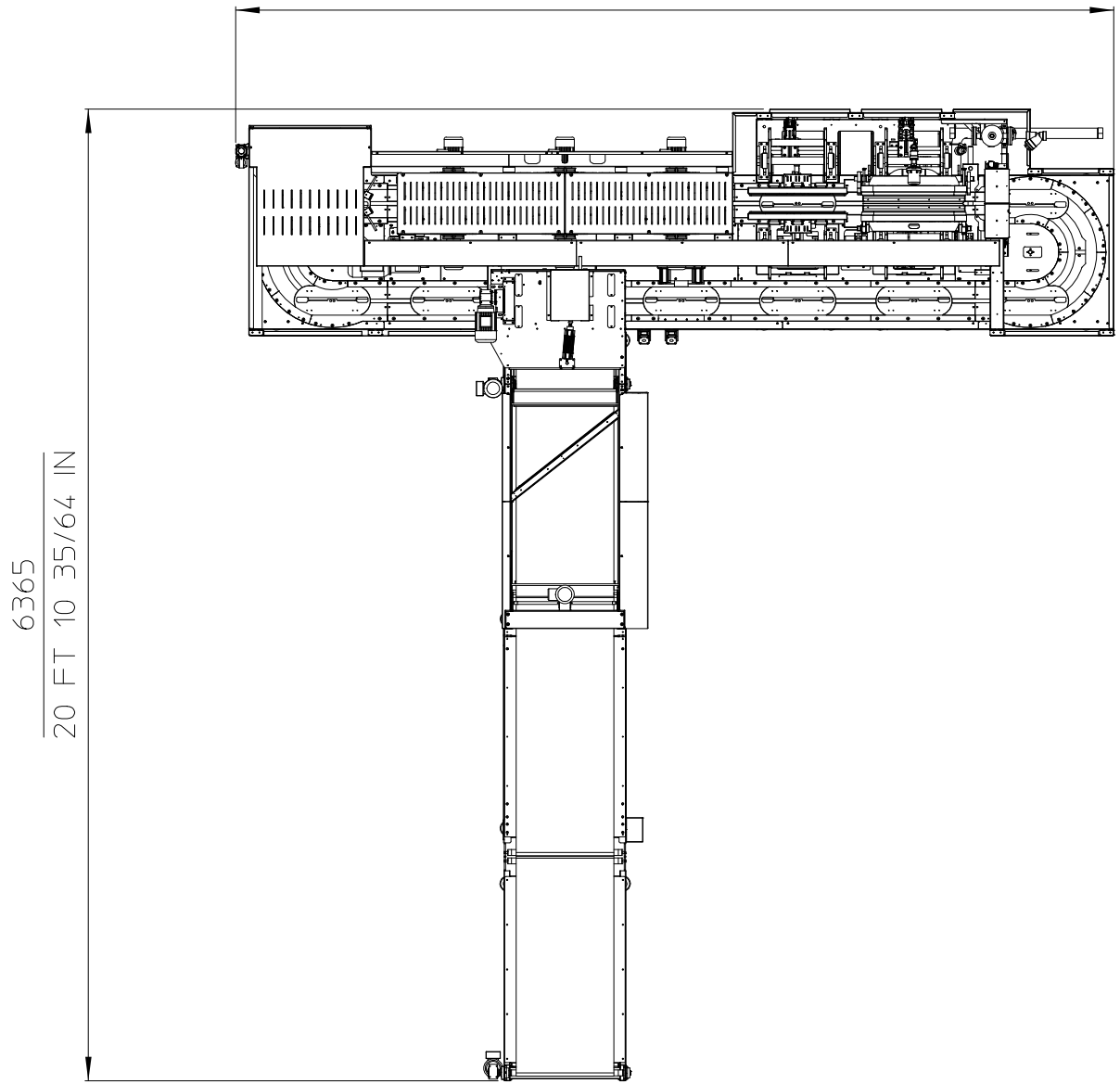
- 1 Pneumatic change of forms
- 2 Water fog nozzle
- 3 Steam chamber
- 4 Boarding press
- 5 Hot air tunnel
- 6 Automatic stripping device
- 7 Stacking unit
- 8 Selection of faulty and dirty garments
- 9 Unloading conveyor

SEAMLESS BOARDING

GHIBLI XSL 600-800

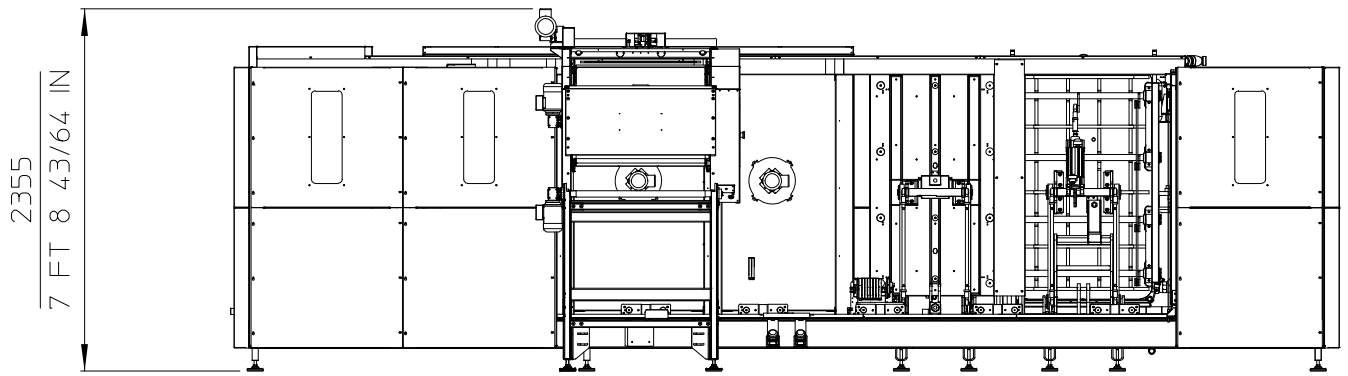


5750
18 FT 10 13/32 IN

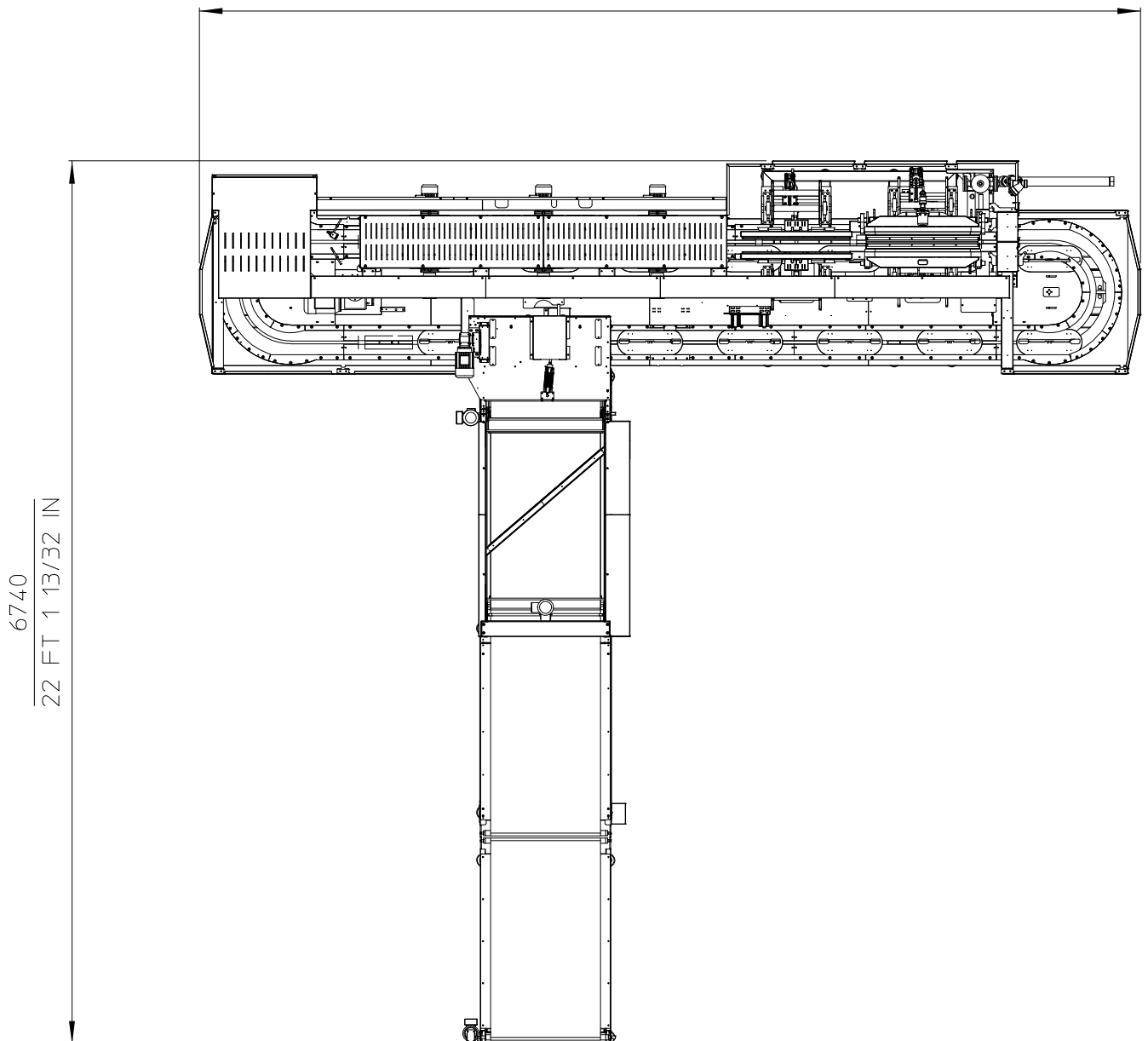


SEAMLESS BOARDING

GHIBLI XSL 600-800



7180
23 FT 6 49/64 IN



TECNOPEA



TECNOPEA S.R.L.

Via Don Eridano Torri, 2

25027 Quinzano d'Oglio, Brescia - Italy

Tel.: +39 030 992 3780 - Fax: +39 030 9923996

info@tecnopea.com - www.tecnopea.com